

## AW 450DV sileo Axial fan

Item no. 34126

Version: 60 Hz

### Description

- speed controllable by voltage reduction, plus option of 2-step operation by D/Y switching for 400V versions
- inlet protection guard
- safe and maintenance free operation
- can be installed in any mounting position
- electric connection via terminal box mounted on the motor
- single phase fans are supplied with capacitor



Axial fans of the AW sileo range do have a bionic shape of the fan blade, and are driven by external rotor motors. The AW range is equipped with a square wall plate made from galvanized steel and a protection guard at the inlet side and is completely painted in black (RAL9005). The axial impeller is manufactured from pressure die cast aluminum and also painted in black (RAL9005).

The impeller is balanced dynamically in two levels in accordance with DIN ISO 1940 part 1, quality G6.3.

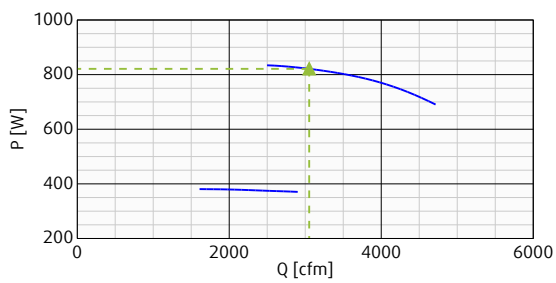
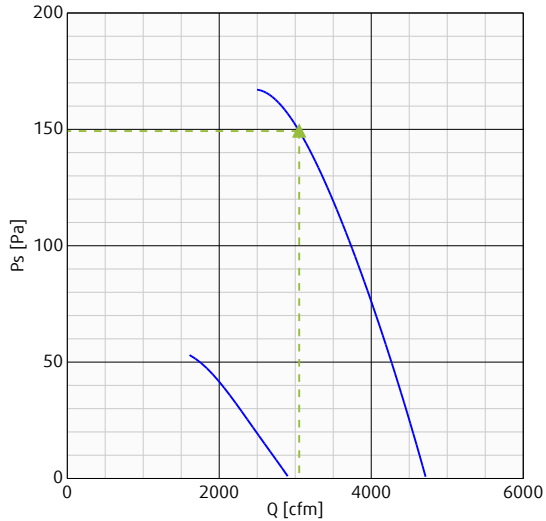
The motors are equipped with thermal contacts for motor protection, with leads to be connected to a motor protection unit.

### Technical parameters

Default group			
Voltage		400	V
Frequency		60	Hz
Phase		3	~
Motor circuit connection		D	
Input power (P1)		830	W
Current		1.5	A
Max. airflow		4714	cfm
Fan impeller speed		1450	r.p.m.
Max. temperature of transported air		45	°C
Max. temperature of transported air when voltage-controlled		45	°C
Sound pressure level at 1 m		69	dB(A)
Weight		14.6	kg
Insulation class		F	
Enclosure class, motor		54	IP

## Performance

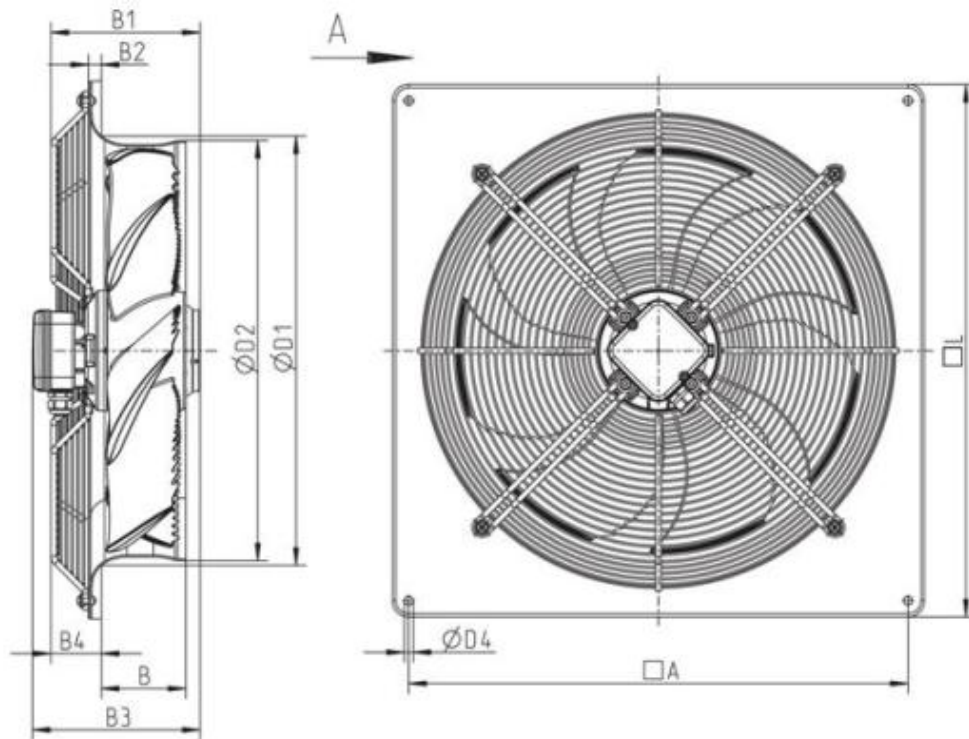
### Performance



### Max efficiency

Hydraulic data											
Air flow										3052	cfm
Static pressure										149	Pa
Power										821	W
Speed										1464	r.p.m.
Current										1.47	A
SFP										0.57	kW/(m <sup>3</sup> /s)
Voltage										400	V
Acoustic data											
		63	125	250	500	1k	2k	4k	8k	Tot	
Inlet	dB(A)	46	58	61	64	67	68	70	55	74	
Outlet	dB(A)	49	58	62	65	67	67	65	53	73	

## Dimensions



	□A	B	B1	B2	B3	B4	ØD1	ØD2	ØD4	□L
AW 450DV	535	96	171	14	206	47	480	463	11	575
AW 450DV-K	535	96	148	14	186	40	480	463	11	575
AW 450E4	535	96	191	14	226	47	480	463	11	575
AW 450E4-K	535	96	148	14	186	40	480	463	11	575

A = Air direction

## Sections not printed

Wiring  
 Accessories  
 Specification text  
 Online resources