

AW 400E4 sileo Axial fan

Item no. 34125

Version: 60 Hz

Description

- speed controllable by voltage reduction, plus option of 2-step operation by D/Y switching for 400V versions
- inlet protection guard
- safe and maintenance free operation
- can be installed in any mounting position
- electric connection via terminal box mounted on the motor
- single phase fans are supplied with capacitor

Axial fans of the AW sileo range do have a bionic shape of the fan blade, and are driven by external rotor motors. The AW range is equipped with a square wall plate, galvanized steel and powder coated in black (RAL9005). The protection guard at the inlet side is powder coated in black. The axial impeller is manufactured from black high efficiency composite material. The impeller is balanced dynamically in two levels in accordance with DIN ISO 1940 part 1, quality G6.3.

The motors are equipped with thermal protection, with leads to be connected to a motor protection unit, for example Systemair unit S-ET.

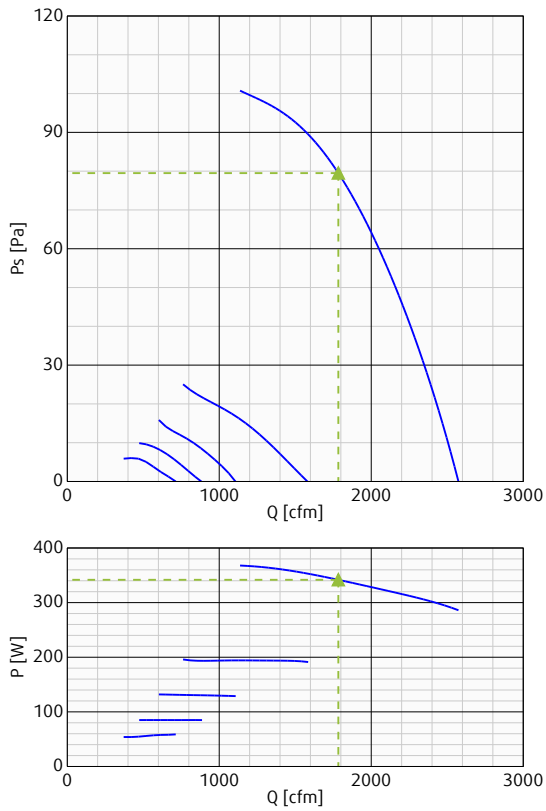


Technical parameters

Default group		
Voltage	230	V
Frequency	60	Hz
Phase	1	~
Input power (P1)	330	W
Current	1.45	A
Max. airflow	2574	cfm
Fan impeller speed	1480	r.p.m.
Max. temperature of transported air	40	°C
Max. temperature of transported air when voltage-controlled	40	°C
Sound pressure level at 1 m	68	dB(A)
Weight	8.7	kg
Insulation class	F	
Enclosure class, motor	54	IP
Capacitor	5	µF

Performance

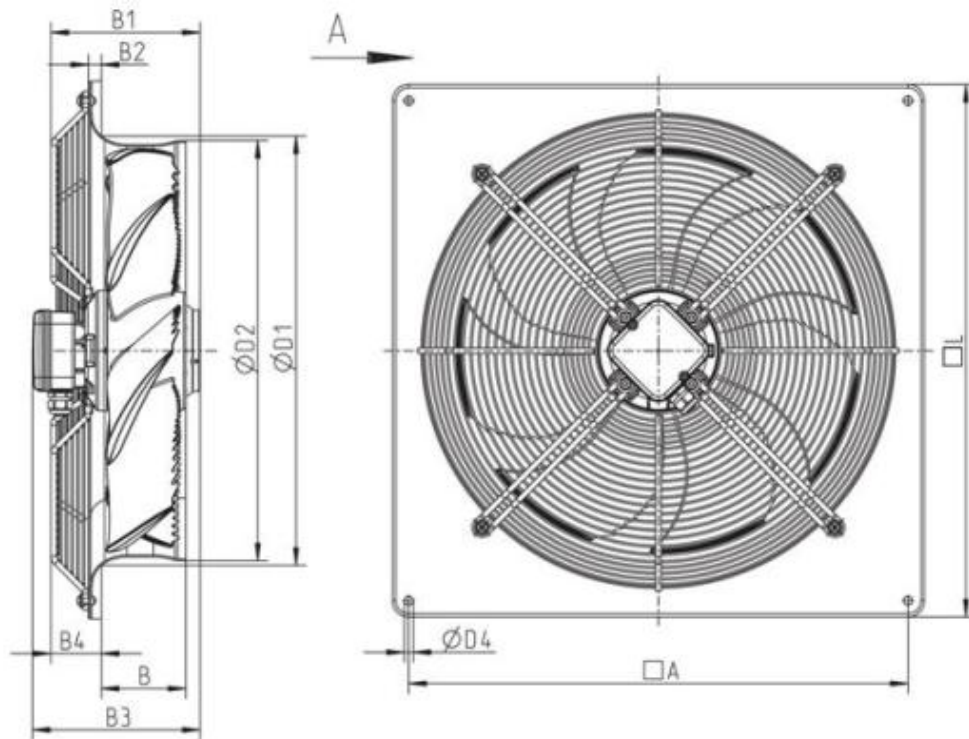
Performance



Max efficiency

Hydraulic data											
Air flow										1784	cfm
Static pressure										79.5	Pa
Power										342	W
Speed										1452	r.p.m.
Current										1.49	A
SFP										0.406	kW/(m ³ /s)
Voltage										230	V
Acoustic data											
		63	125	250	500	1k	2k	4k	8k	Tot	
Inlet	dB(A)	46	56	59	63	66	64	59	52	70	
Outlet	dB(A)	44	55	61	65	69	65	59	50	72	

Dimensions



	□A	B	B1	B2	B3	B4	ØD1	ØD2	ØD4	□L
AW 400DV	490	88	146	12	182	54	420	412	9	540
AW 400E4	490	88	146	12	182	54	420	412	9	540

A = Air direction

Sections not printed

Wiring
 Accessories
 Specification text
 Online resources