

AW 350DV sileo Axial fan+

Item no. 34122

Version: 60 Hz

Description

- speed controllable by voltage reduction, plus option of 2-step operation by D/Y switching for 400V versions
- inlet protection guard
- safe and maintenance free operation
- can be installed in any mounting position
- electric connection via terminal box mounted on the motor
- single phase fans are supplied with capacitor

Axial fans of the AW sileo range do have a bionic shape of the fan blade, and are driven by external rotor motors. The AW range is equipped with a square wall plate, galvanized steel and powder coated in black (RAL9005). The protection guard at the inlet side is powder coated in black. The axial impeller is manufactured from black high efficiency composite material. The impeller is balanced dynamically in two levels in accordance with DIN ISO 1940 part 1, quality G6.3.

The motors are equipped with thermal contacts for motor protection, with leads to be connected to a motor protection unit.

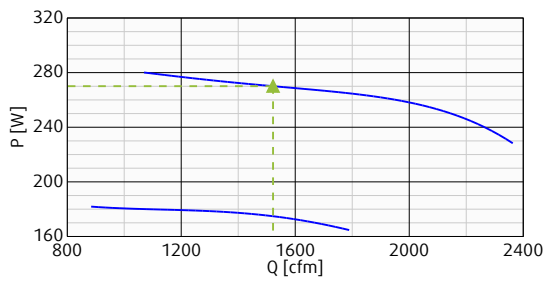
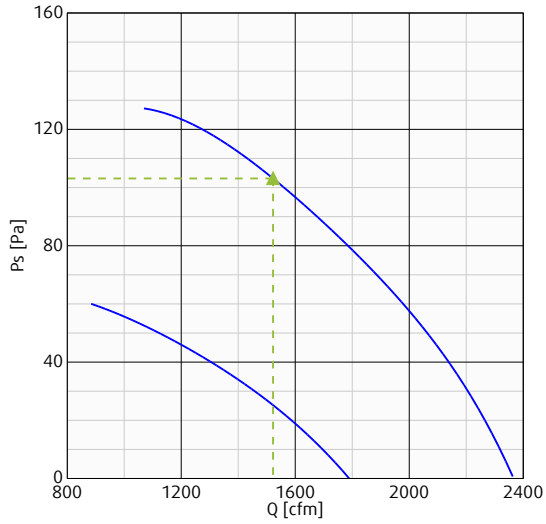


Technical parameters

Default group		
Voltage	400	V
Frequency	60	Hz
Phase	3	~
Motor circuit connection	D	
Input power (P1)	280	W
Current	0.48	A
Max. airflow	2363	cfm
Fan impeller speed	1560	r.p.m.
Max. temperature of transported air	70	°C
Max. temperature of transported air when voltage-controlled	70	°C
Sound pressure level at 1 m	67	dB(A)
Weight	7.6	kg
Insulation class	F	
Enclosure class, motor	54	IP

Performance

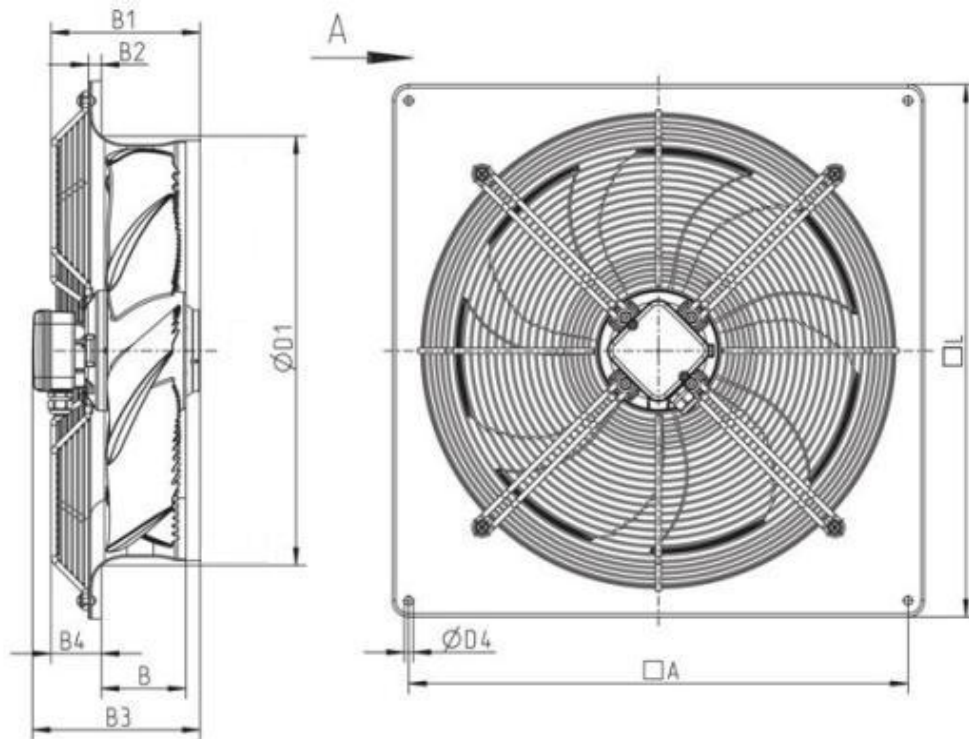
Performance



Max efficiency

Hydraulic data												
Air flow		1522	cfm									
Static pressure		103	Pa									
Power		270	W									
Speed		1576	r.p.m.									
Current		0.458	A									
SFP		0.376	kW/(m ³ /s)									
Voltage		400	V									
Acoustic data				63	125	250	500	1k	2k	4k	8k	Tot
Inlet	dB(A)	51	55	59	63	67	68	64	57	73		
Outlet	dB(A)	49	54	60	64	67	69	64	56	73		

Dimensions



	□A	B	B1	B2	B3	B4	ØD1	ØD4	□L
AW 350DV	435	68	119	12	182	22	388	9	485
AW 350E4	435	68	132	12	173	49	390	9	485

A = Air direction

Sections not printed

Wiring
 Accessories
 Online resources