

AW 315DV sileo Axial fan

Item no. 37408

Version: 60 Hz

Description

- speed controllable by voltage reduction, plus option of 2-step operation by D/Y switching for 400V versions
- inlet protection guard
- safe and maintenance free operation
- can be installed in any mounting position
- electric connection via terminal box mounted on the motor
- single phase fans are supplied with capacitor

Axial fans of the AW sileo range do have a bionic shape of the fan blade, and are driven by external rotor motors. The AW range is equipped with a square wall plate, galvanized steel and powder coated in black (RAL9005). The protection guard at the inlet side is powder coated in black. The axial impeller is manufactured from black high efficiency composite material. The impeller is balanced dynamically in two levels in accordance with DIN ISO 1940 part 1, quality G6.3.

The motors are equipped with thermal contacts for motor protection, with leads to be connected to a motor protection unit.



Technical parameters

Nominal data		
Voltage	400	V
Frequency	60	Hz
Phase	3	~
Input power (P1)	145	W
Current	0.264	A
Max. airflow	1606	cfm
Fan impeller speed	1530	r.p.m.
Weight	5.3	kg
Motor circuit connection	D	

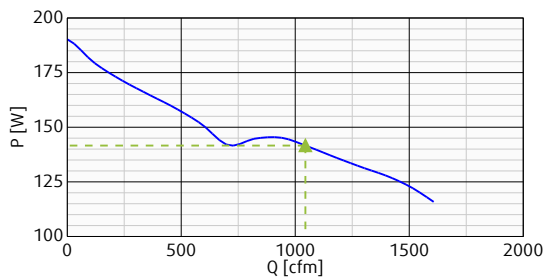
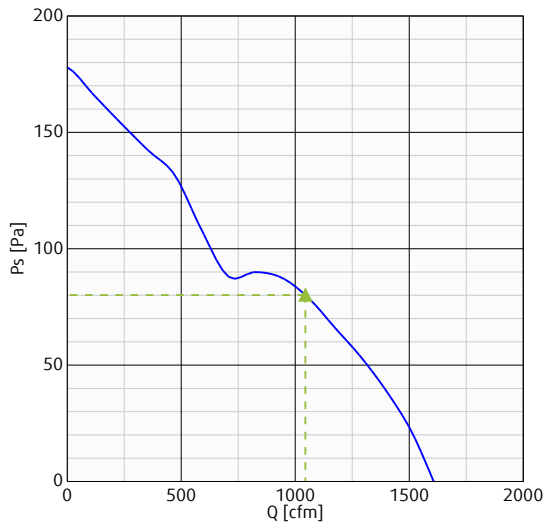
Temperature data		
Max. temperature of transported air	70	°C
Max. temperature of transported air when voltage-controlled	70	°C

Sound data		
Sound pressure level at 1 m	66	dB(A)

Protection / Classification		
Insulation class	F	
Enclosure class, motor	IP44	IP

Performance

Performance



Max efficiency

Hydraulic data

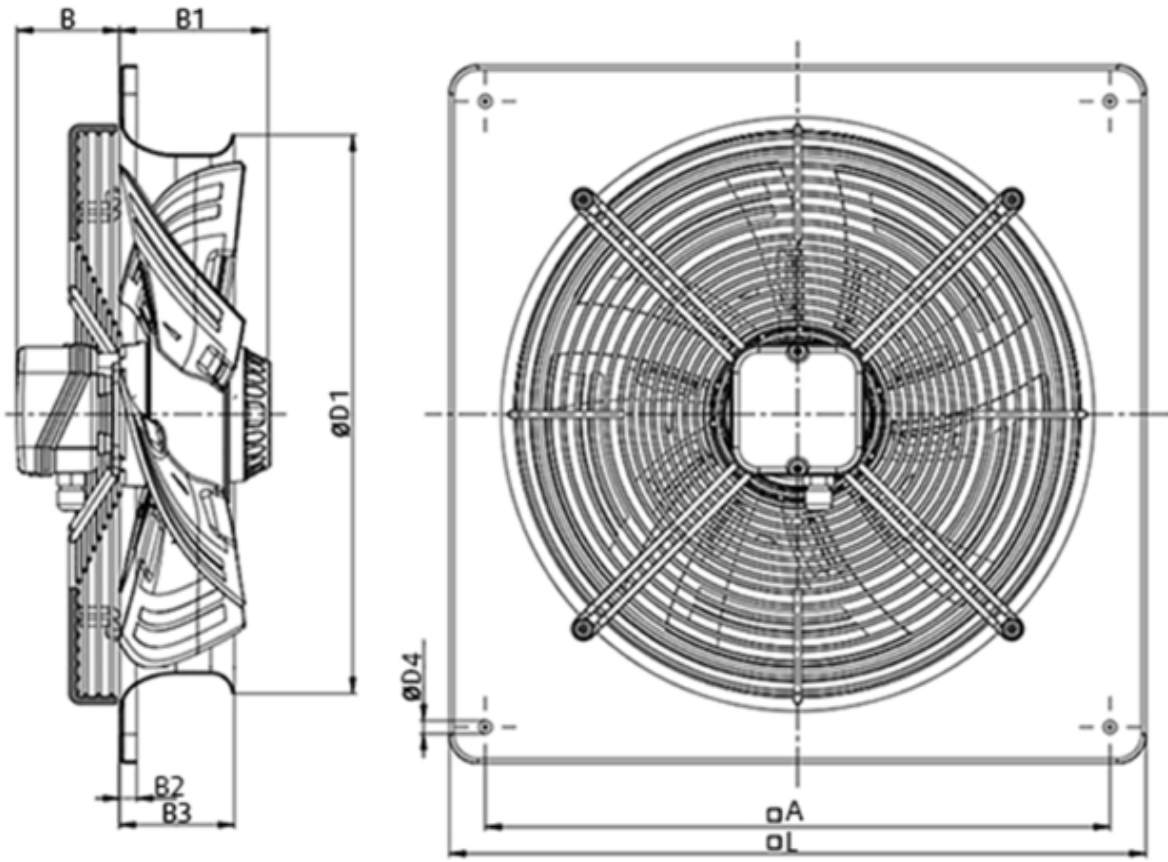
Air flow	1045	cfm
Static pressure	80.1	Pa
Power	142	W
Speed	1538	r.p.m.
Current	0.261	A
SFP	0.287	kW/(m ³ /s)
Voltage	400	V

Dimensions

Airflow

=====>

	B	B1	øD1	B2	B3	□A	□L	øD4
AW 315DV sileo	79	83	345	11	73	380	430	9



Sections not printed

Wiring
Accessories
Specification text
Online resources