

## AW 300E2 Axial fan

Item no. 5801

Version: 60 Hz

### Description

- Square plate for wall mounting
- External rotor motor
- Protection guard on the inlet
- wide range of accessories

The casing, protection guard and impeller is manufactured from galvanised steel, painted in standard black. The fans have sickle bladed impellers.

The single-phase motor is full speed-controllable via Thyristor or transformer. The three-phase motor is full speed-controllable via transformer and D/Y connection. To protect the motor from overheating the fan has integral thermal contacts with external leads for connection to a motor protection device.

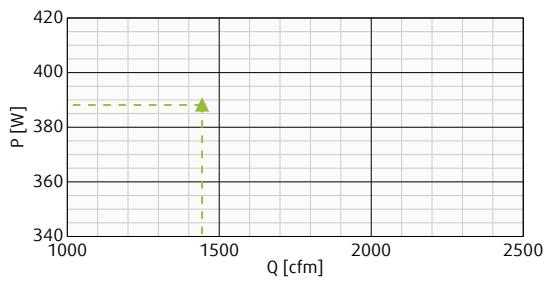
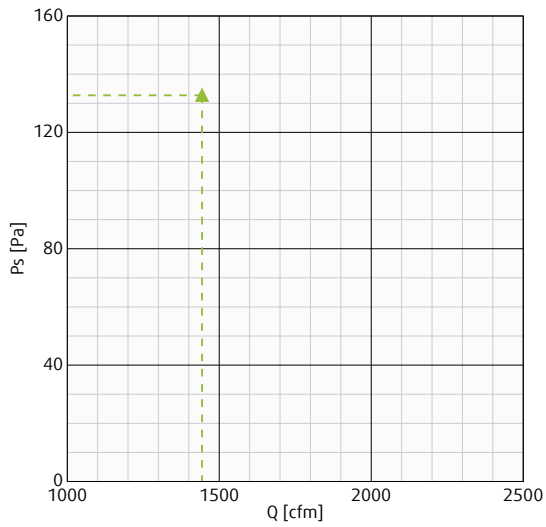


### Technical parameters

Default group		
Voltage	230	V
Frequency	60	Hz
Phase	1	~
Input power (P1)	404	W
Current	1.76	A
Max. airflow	2202	cfm
Fan impeller speed	3000	r.p.m.
Max. temperature of transported air	40	°C
Max. temperature of transported air when voltage-controlled	40	°C
Sound pressure level at 1 m	71	dB(A)
Weight	6.2	kg
Insulation class	B	
Enclosure class, motor	44	IP
Capacitor	8	µF

## Performance

### Performance

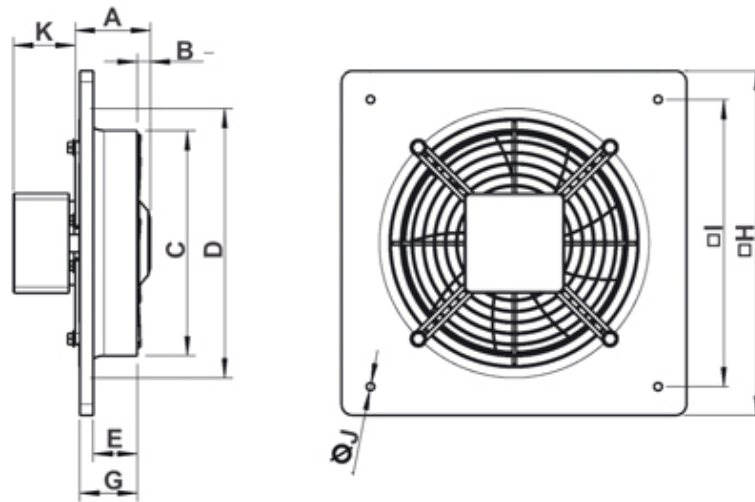


### Max efficiency

Hydraulic data											
Air flow										1444	cfm
Static pressure										133	Pa
Power										388	W
Speed										2625	r.p.m.
Current										1.71	A
SFP										0.57	kW/(m <sup>3</sup> /s)
Voltage										230	V
Acoustic data											
			63	125	250	500	1k	2k	4k	8k	Tot
Inlet	dB(A)		36	49	60	70	71	73	71	64	78

## Dimensions

Airflow  
 =====>



	A	B	∅C	∅D	E	G	□H	□I	∅J	K
AW 300E2	111	25	326	330	69	80	430	380	9	65

### Sections not printed

- Wiring
- Accessories
- Specification text
- Online resources