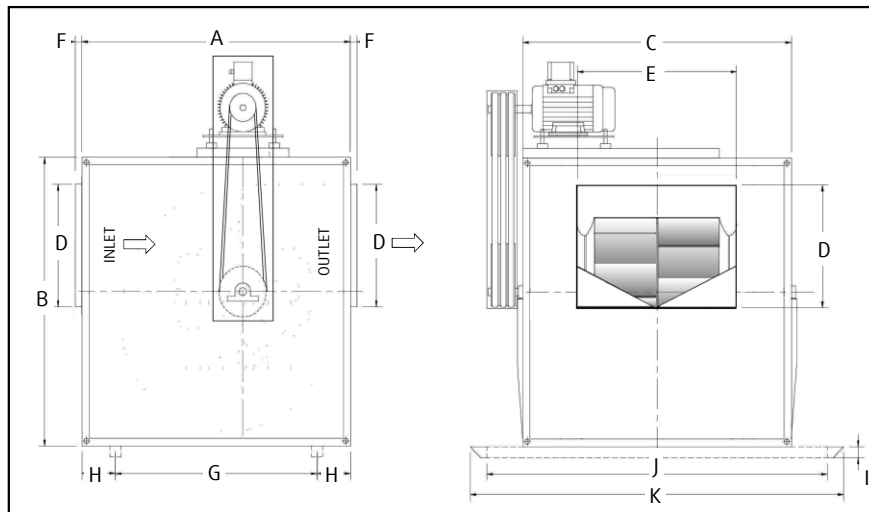


BELT-DRIVEN CENTRIFUGAL CABINET FAN AW SERIES

Features

- The AW series of belt driven centrifugal cabinet fan with externally located motor have been designed for smoke spill application and kitchen application.
- Cabinet is manufactured is galvanised sheet steel incorporated with belt driven, high efficiency, low noise level, double inlet backward impeller.
- Complete with inlet & outlet flange as standard for easy duct installation.
- Easy installation & ease of maintenance.
- Non-Overloading power characteristic.
- Suitable for high pressure ventilation systems or where the system could fluctuate.
- Normal discharge velocities 1800 – 3000 feet per minute.



Dimensions

In metric

| Model | A | B | C | D | E | F | G | H | I | J | K | (Max. KW) |
|-------|------|------|------|------|------|----|------|-----|-----|------|------|-----------|
| AW30 | 1000 | 730 | 1000 | 291 | 494 | 30 | 700 | 180 | 50 | 1200 | 1300 | 4.0 |
| AW35 | 1000 | 780 | 1100 | 309 | 545 | 30 | 700 | 180 | 50 | 1300 | 1400 | 5.5 |
| AW40 | 1200 | 840 | 1100 | 345 | 605 | 30 | 900 | 190 | 50 | 1300 | 1400 | 7.5 |
| AW45 | 1200 | 920 | 1200 | 392 | 665 | 30 | 900 | 190 | 50 | 1400 | 1500 | 7.5 |
| AW50 | 1300 | 1000 | 1350 | 403 | 738 | 30 | 920 | 190 | 50 | 1550 | 1650 | 11.0 |
| AW55 | 1300 | 1100 | 1500 | 484 | 808 | 30 | 920 | 190 | 50 | 1700 | 1800 | 11.0 |
| AW60 | 1400 | 1300 | 1600 | 542 | 897 | 30 | 920 | 200 | 50 | 1800 | 1900 | 15.0 |
| AW65 | 1400 | 1400 | 1750 | 586 | 995 | 30 | 1000 | 200 | 50 | 1950 | 2050 | 15.0 |
| AW75 | 1500 | 1500 | 2000 | 650 | 1095 | 30 | 1100 | 200 | 100 | 2250 | 2350 | 18.5 |
| AW80 | 1700 | 1700 | 2100 | 713 | 1216 | 30 | 1300 | 200 | 100 | 2350 | 2450 | 22.0 |
| AW90 | 1900 | 1800 | 2400 | 789 | 1338 | 30 | 1400 | 245 | 100 | 2650 | 2750 | 30.0 |
| AW100 | 2240 | 2000 | 2600 | 861 | 1473 | 30 | 1740 | 250 | 100 | 2900 | 3000 | 37.0 |
| AW110 | 2240 | 2100 | 2900 | 972 | 1633 | 30 | 1740 | 250 | 100 | 3200 | 3300 | * |
| AW120 | 2465 | 2300 | 3200 | 1068 | 1791 | 30 | 1965 | 250 | 100 | 3500 | 3600 | * |
| AW135 | 2600 | 2500 | 3500 | 1178 | 1986 | 50 | 2200 | 300 | 150 | 3700 | 4200 | * |
| AW145 | 2800 | 2750 | 3860 | 1301 | 2192 | 50 | 2350 | 300 | 150 | 4150 | 4660 | * |

* Please consult for further details.